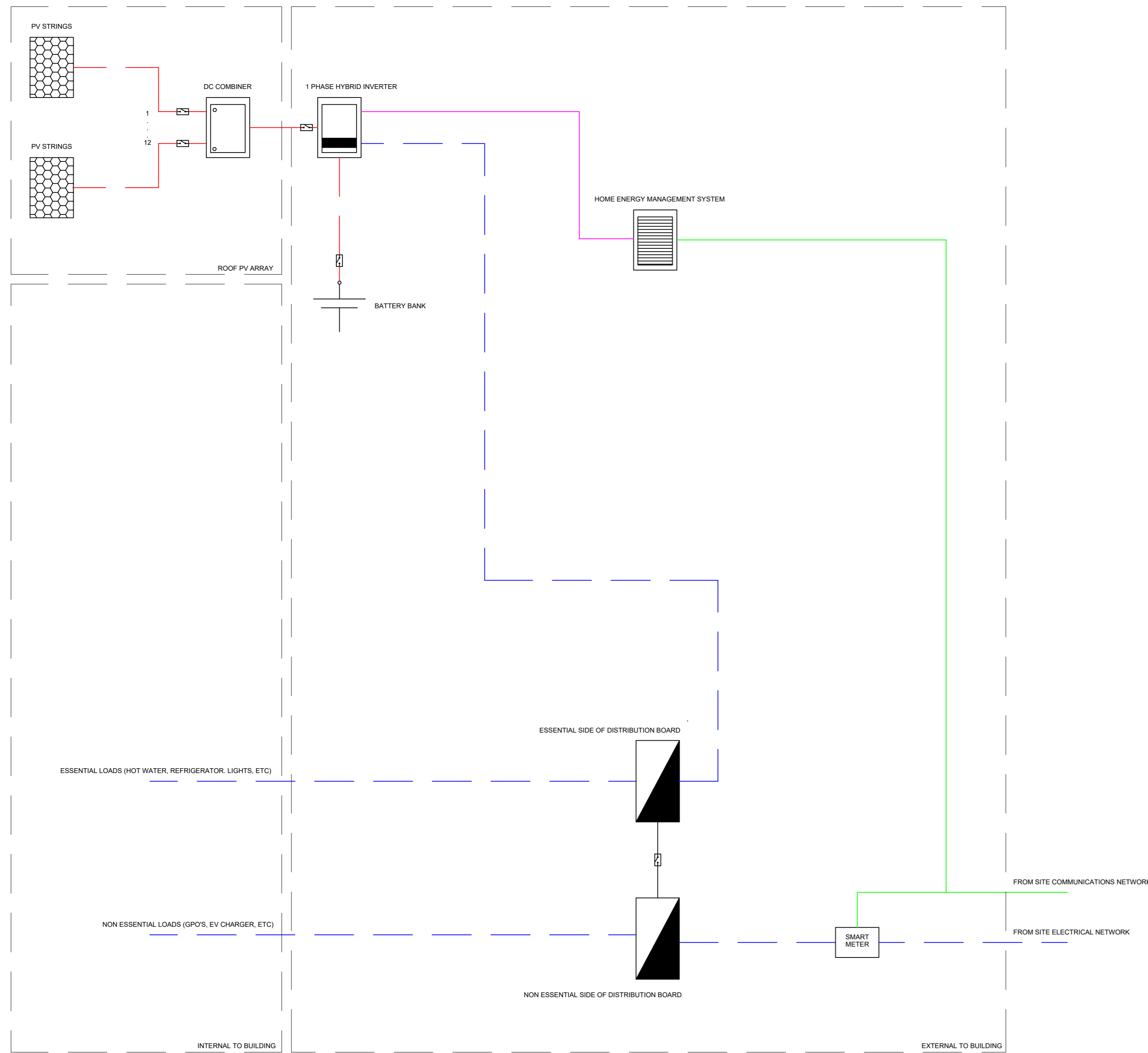
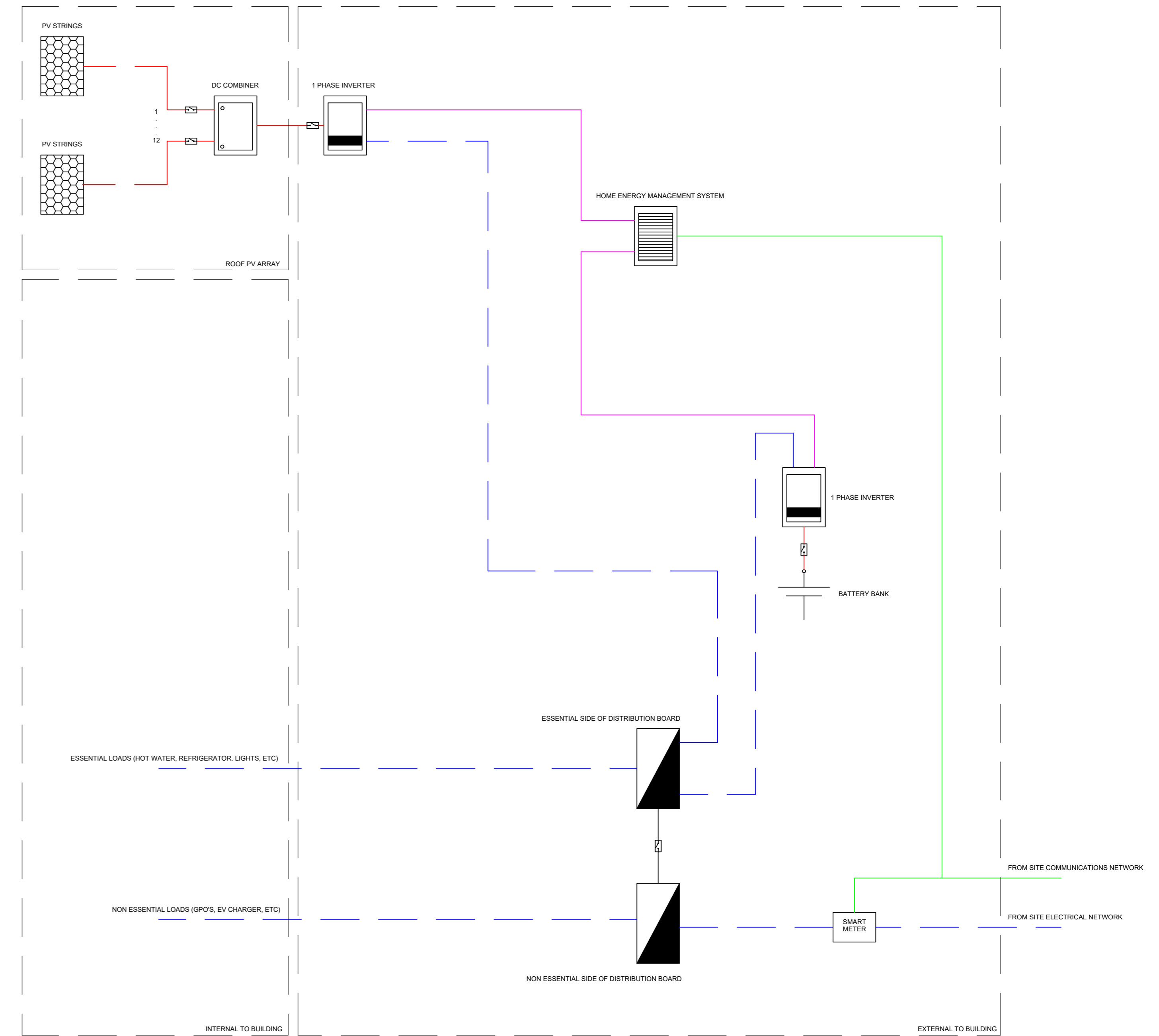


SYMBOL KEY

- DC CABLE
- AC CABLE
- ETHERNET CABLE
- RS485 CABLE
- ISOLATOR
- BATTERY BANK



SIMPLIFIED HOME SYSTEM WITH D.C. COUPLED BATTERY



SIMPLIFIED HOME SYSTEM WITH A.C. COUPLED BATTERY

Revision notes:		
Rev:	Date:	Notes:
1	14/11/2016	PRELIMINARY DESIGN

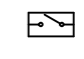
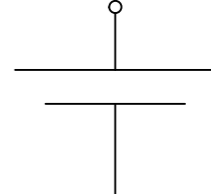
Drawn by: CHRIS KORNEK
Client: NARARA ECOVILLAGE POWER PTY LTD

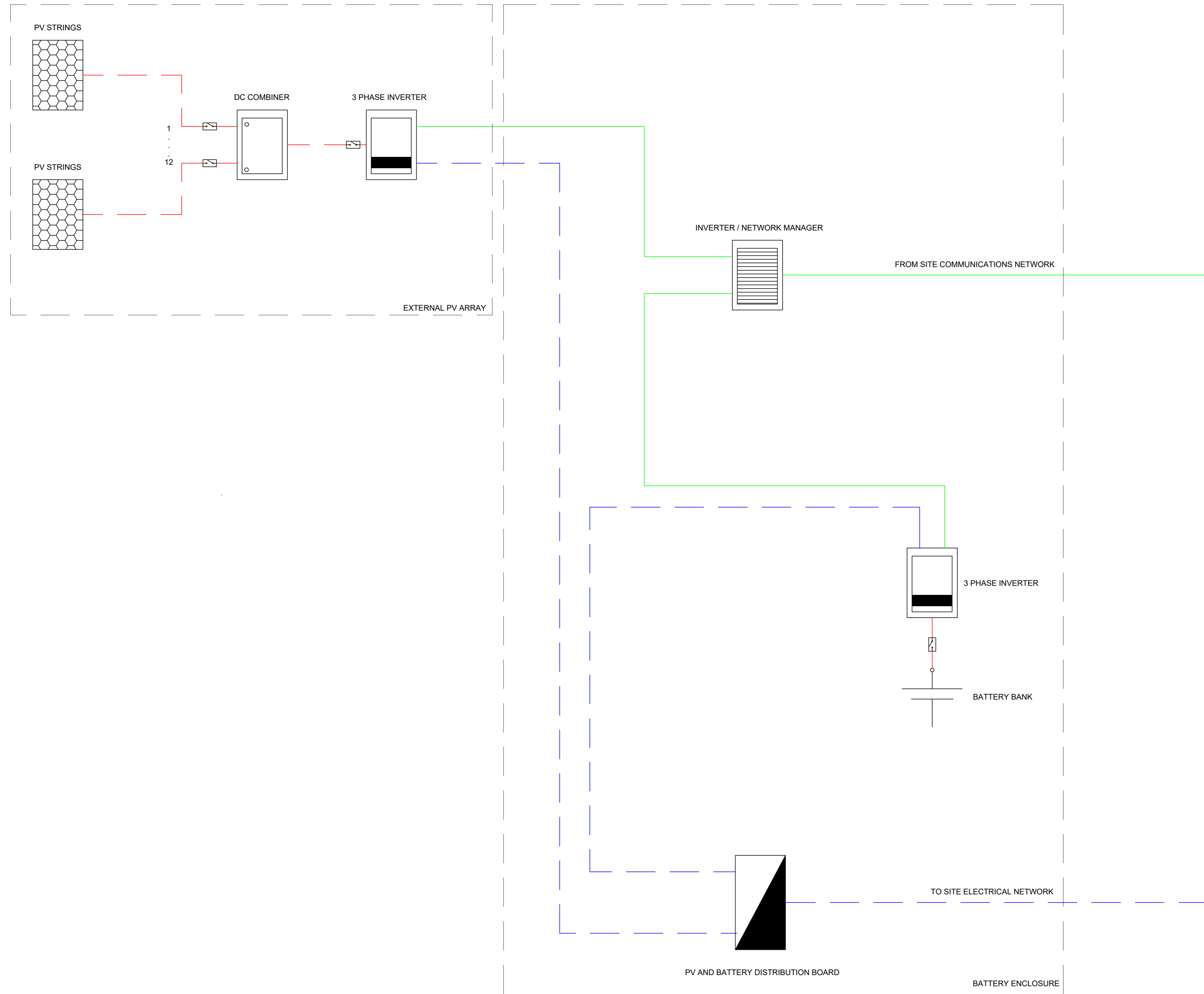
Project: NARARA ECOVILLAGE MICRO-GRID
Drawing Title: SIMPLIFIED HOME SYSTEMS SINGLE LINE DIAGRAM

Date: 14/11/2016
Scale @ A1: 1:100
Revision: 1



SYMBOL KEY

- DC CABLE
- AC CABLE
- ETHERNET CABLE
- RS485 CABLE
-  ISOLATOR
-  BATTERY BANK



NETWORK PHOTOVOLTAICS AND BATTERY

Revision notes:

Rev:	Date:	Notes:
1	14/11/2016	PRELIMINARY DESIGN

Drawn by:

CHRIS KORNEK

Project:

NARARA ECOVILLAGE
MICRO-GRID

Date:

14/11/2016

Scale @ A1:

1:100

Revision:

1

Client:

NARARA ECOVILLAGE POWER PTY LTD

Drawing Title:

NETWORK PV AND BATTERY
SINGLE LINE DIAGRAM